

PERMIT
CITY OF NAPOLEON, OHIO - BUILDING DEPARTMENT
255 West Riverview Avenue, Napoleon, Ohio 43545 - (419) 592-4010

Permit No. 3889 Issued 05/06/96

Job Location 582 Moorings Drive

Lot _____

Issued by Brent N. Damman

Owner Brent Gerken 592-2300

Address 582 Moorings Drive

Agent Defiance Water Recreation
782-2618

Address 1495 Ralston Ave. Defiance, OH

Use Type - Residential X

Other - Describe _____

No. Dwelling Units _____

New X Replacement _____

Add'n. Alter Remodel _____

Change of Occupancy _____

Estimated Cost \$ 16,500.00

TOTAL FEES.....\$ 78.00

LESS FEES PAID.....\$ 78.00

BALANCE DUE.....\$ -0-

ZONING INFORMATION

district	lot dimensions	area	front yd	side yd	rear yd
max hgt	no pkg spaces	no ldg spaces	max cover	petition or appeal req'd	date appr

WORK INFORMATION

Size: Length _____ Width _____ Stories _____ Ground Floor Area _____

Height _____ Building Volume (for Demo. Permit) _____

Electrical: _____

Plumbing: _____

Mechanical: _____



Additional Information: In ground pool 16' x 24' x 40'
L-shaped

Date 5-6-96 Applicant Signature Brent Gerken

INSPECTION RECORD

UNDERGROUND				ROUGH-IN				FINAL	
Type	Date	By	Type	Date	By	Type	Date	Type	By
PLUMBING	Building Drains		Drainage, Waste & Vent Piping			Indirect Waste		Drainage, Waste & Vent Piping	
	Water Piping							Backflow Prevention	
	Building Sewer		Water Piping			Condensate Lines		Water Heater	
	Sewer Connection							FINAL APPROVAL	
MECHANICAL	Refrigerant Piping		Refrigerant Piping			Chimney(s)		Grease Exhaust System	
			Duct Furnace(s)			Fire Dampers		Air Cond. Unit(s)	
	Ducts/ Plenums		Ducts/ Plenums			<input type="checkbox"/> Radiant Htr(s) <input type="checkbox"/> Unit Htr(s)		Refrigeration Equipment	
			Duct Insulation			Pool Heater		Furnace(s)	
ELECTRICAL	Conduits & Cable		Conduits/ Cable			Ventilation <input type="checkbox"/> Supply <input type="checkbox"/> Exhst.		FINAL APPROVAL	
	Grounding & Bonding		Rough Wiring			<input type="checkbox"/> Range <input type="checkbox"/> Dryer		Temp Service Temp Lighting	
	Floor Ducts Raceways		Service Panel Switchboard			<input type="checkbox"/> Generator(s) <input type="checkbox"/> Motors		Fixtures Lampholders	
	Service Conduit		Busways Ducts			<input type="checkbox"/> Water Htr <input type="checkbox"/> Welder		Signs	
BUILDING	Temporary Power Pole		Subpanels			<input type="checkbox"/> Heaters <input type="checkbox"/> Heat Cable		Electric Mtr. Clearance	
	Location, Set-backs, Esmt(s)		Exterior Wall Construction			<input type="checkbox"/> Duct Htr(s) <input type="checkbox"/> Furnace(s)		FINAL APPROVAL	
	Excavation					Roof Covering Roof Drainage		Smoke Detector	
	Footings & Reinforcing					Exterior Lath		Demolition (sewer cap)	
ADDITIONAL	Floor Slab		Interior Wall Construction			<input type="checkbox"/> Interior Lath <input type="checkbox"/> Wallboard		Building or Structure	
	Foundation Walls		Columns & Supports			Fireplace Chimney			
	Sub-soil Drain		Crawl Space <input type="checkbox"/> Vent <input type="checkbox"/> Access			Attic <input type="checkbox"/> Vent <input type="checkbox"/> Access		FINAL APPROVAL BLDG. DEPT.	
	Piles		Floor System(s)			Special Insp Reports Rec'd		Certificate of Occupancy Issued	
INSPECTIONS, CORRECTIONS, ETC.				INSPECTIONS, CORRECTIONS, ETC.					
CITY OF HAWAII									

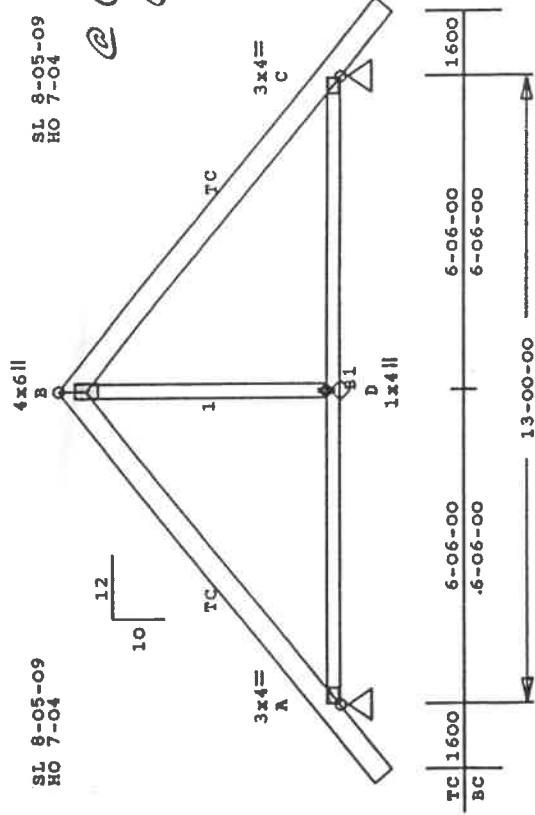
SL 9-05-09
HO 7-04

*B. Gorkin
582 Mooring*

6-00-04

SL 9-05-09
HO 7-04

@ GARDENERS
COTTAGE



Unistar -- Version 38.0.502
RUN DATE: 5-21-95

CSI SIZE LUMBER 1.15FB
TOP 0.27 2X 6 SP-#2 1440
BTM 0.30 2X 4 SPF-#2 1510
WBS 0.05 2X 4 SPF-#3 865
REPEITIVE MEMBER STRESS USED.

LATERAL BRACING:

TOP CHORD - CONTINUOUS
BTM CHORD - CONTINUOUS
TRUSS SPACING - 24.0 IN.

LOAD CASE #1
LUMBER STRESS INCREASE: 15.0%
LOADING LIVE DEAD (PSF)
TOP CHD 25.0 10.0
BTM CHD 0.0 10.0
TOTAL 25.0 20.0 45.0
SUPPORT CRITERIA

JT REACT WIDTH JT REACT WIDTH
LBS IN-SX LBS IN-SX
A 558 3-8 C 558 3-8

LOAD CASE #2 WIND FROM LEFT
LUMBER STRESS INCREASE: 33.3%
LOADING LIVE DEAD (PSF)
TOP CHD 25.0 10.0
BTM CHD 0.0 10.0
TOTAL 25.0 20.0 45.0
EXCEPTIONS:

A-B -10.6N 10.0
B-C -17.4N 10.0
SUPPORT CRITERIA
JT TYPE HORZ VERT WIDTH
LBS LBS IN-SX
A PIN -112 82 3-8
C HORZ RLR 0 51 3-8

LOAD CASE #3 WIND FROM RIGHT
LUMBER STRESS INCREASE: 33.3%
LOADING LIVE DEAD (PSF)

TOP CHD 25.0 10.0
BTM CHD 0.0 10.0
TOTAL 25.0 20.0 45.0
EXCEPTIONS:
A-B -17.4N 10.0
B-C -10.6N 10.0
SUPPORT CRITERIA

JT TYPE HORZ VERT WIDTH
LBS LBS IN-SX
A PIN 112 51 3-8
C HORZ RLR 0 82 3-8

LOAD CASE #4 WIND // RIDGE
LUMBER STRESS INCREASE: 33.3%
LOADING LIVE DEAD (PSF)
TOP CHD 25.0 10.0
BTM CHD 0.0 10.0
TOTAL 25.0 20.0 45.0
EXCEPTIONS:

A-B -17.4N 10.0
B-C -17.4N 10.0
SUPPORT CRITERIA

JT TYPE HORZ VERT WIDTH
LBS LBS IN-SX
A PIN 0 16 3-8
C HORZ RLR 0 16 3-8

HEEL OIN - 1SX OIN - 1SX
LEFT RIGHT

MEMBER FORCES (LBS)
TOP CHORDS
A-B = 437 C B-C = 437 C
BOTTOM CHORDS
A-D = 336 T D-C = 336 T
WEBS
D-B = 125 T

DL+LL DEFL = 0.10" IN B-C
LL DEFL = 0.01" < S/360
SPAN/DEFL (DL+LL) = 999

PLATING CONFORMS TO TPI
(ICBO 3777)(DILHR 850020-N)
VERIFY PLATE VALUES WITH
TEE-LOK CORPORATION
GRIP BASED ON SYP/SPF
GRIPPING VALUES BASED ON
GROSS AREA TEST METHOD.
PLATES - 20 GAUGE T-GIG
GRIPPING 529-315 PSI PER PAIR
INCLUDES 15.0% INCREASE
TENSION 838- 806 PLI PER PAIR
SHEAR 852- 495 PLI PER PAIR

JT TYPE PLATE SIZE X Y
A 2001 3.00 X 4.00 3.8 3.0
B 3001R 4.00 X 6.00 CTR CTR
C 2001 3.00 X 4.00 3.8 3.0
D 1001 1.00 X 4.00 CTR CTR
R = PLATE IS ROTATED BY 90 DEG

NOTES:

1. TRUSSES MANUFACTURED BY - AUTOMATED BLDG. COMPONENTS
2. ANALYSIS CONFORMS TO TPI-85 (NDS-91).
3. WIND LOADS - ANSI/ASCE 7-88 TRUSS IS DESIGNED AS A MAIN WIND-FORCE RES SYSTEM WIND SPEED - 80 MPH MEAN ROOF HEIGHT - 25' EXPOSURE CATEGORY - C OCCUPANCY CATEGORY - 1 OCEANLINE DIST - 500 MILES
4. ANCHOR TRUSS FOR A TOTAL HORIZONTAL LOAD OF 112 LBS.

Automated Building Components
129 N. Main St.

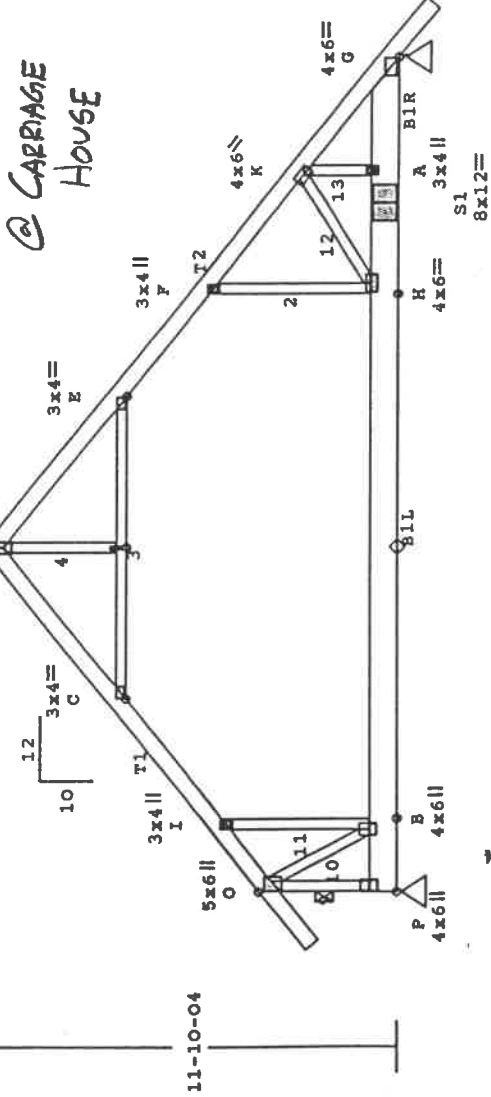
North Baltimore, Ohio 45872
1-419-257-2152, 1-800-837-2152
FAX 1-419-257-2770

QUAN TYPE SPAN P1-H1 OVERHANGS JOB
13 AT12 270000 10 1600 1600 MEL LANZER / #75855

MARK
AT1

SL 12-04-07
HO 3-11-04

SL 17-06-14
HO 7-04



@ CARRIAGE
HOUSE

NOTE: ABC cannot guarantee that the vertical webs that make up the room walls in the attic storage truss will be perfectly aligned or plumb. Some shimming adjustments may be needed.



UniStar -- Version 38.0.502
RUN DATE: 5-21-95

CSI SIZE LUMBER 1.15FB
TOP 0.82 2X 6 SP-2400 2750
BTM 0.61 2X10 SP-2250 2600
WBS 0.88 2X 4 SPF-#3 865
EXCEPTIONS:
O-I 2X 6 SP-#2 1440
I-C C-D SAME AS O-I
S1-A SAME AS S1-A
O-B 2X 4 SPF-#2 1510
REPEITIVE MEMBER STRESS USED.

LATERAL BRACING:
TOP CHORD - CONTINUOUS
BTM CHORD - CONTINUOUS
ONE BRACE - P-O
TRUSS SPACING - 24.0 IN.

LOAD CASE #1
LUMBER STRESS INCREASE: 15.0%
LOADING LIVE DEAD (PSF)
TOP CHD 25.0 10.0
BTM CHD 0.0 10.0
TOTAL 25.0 20.0 45.0
EXCEPTIONS:
P-H 40.0 10.0
SUPPORT CRITERIA
JT TYPE HORZ VERT WIDTH
LBS IN-SX
P PIN 1873 3-8
G HORZ RLR 0 1501 3-8

LOAD CASE #2 WIND FROM LEFT
LUMBER STRESS INCREASE: 33.3%
LOADING LIVE DEAD (PSF)
TOP CHD 25.0 10.0
BTM CHD 0.0 10.0
TOTAL 25.0 20.0 45.0
EXCEPTIONS:
P-H 40.0 10.0
O-D 2.0N 10.0
D-G -17.4N 10.0
P-O 15.5N 0.0
SUPPORT CRITERIA
JT TYPE HORZ VERT WIDTH
LBS IN-SX
P PIN -559 1088 3-8
G HORZ RLR 0 715 3-8

LOAD CASE #3 WIND FROM RIGHT
LUMBER STRESS INCREASE: 33.3%
LOADING LIVE DEAD (PSF)
TOP CHD 25.0 10.0
BTM CHD 0.0 10.0
TOTAL 25.0 20.0 45.0
EXCEPTIONS:
P-H 40.0 10.0
O-D -17.4N 10.0
D-G 2.0N 10.0
P-O -9.7N 0.0
SUPPORT CRITERIA
JT TYPE HORZ VERT WIDTH
LBS IN-SX
P PIN 426 1152 3-8
G HORZ RLR 0 794 3-8

LOAD CASE #4 WIND // RIDGE
LUMBER STRESS INCREASE: 33.3%
LOADING LIVE DEAD (PSF)
TOP CHD 25.0 10.0
BTM CHD 0.0 10.0
TOTAL 25.0 20.0 45.0
EXCEPTIONS:
P-H 40.0 10.0
O-D -17.4N 10.0
D-G -17.4N 10.0
P-O -13.5N 0.0
SUPPORT CRITERIA
JT TYPE HORZ VERT WIDTH
LBS IN-SX
P PIN -16 898 3-8
G HORZ RLR 0 521 3-8

HEEL LEFT RIGHT
MEMBER CSI P(LBS) M81ST M82ND
O-I 0.69 1703 C 0 6758
I-C 0.82 1209 C -6758 -8959
C-D 0.80 149 T 5955 0
D-E 0.25 189 T 0 -2151
E-F 0.58 1139 C 4759 13665
F-K 0.59 1776 C-13665 -2609
K-G 0.13 2335 C 2609 0
BOTTOM CHORDS
P-B 0.57 509 T 0-16086
B-H 0.61 1159 T 36144 6637
H-S1 0.20 1832 T -6637 0
S1-A 0.30 1832 T 0 -2875
A-G 0.30 1832 T 2875 0
WEBS
P-O = 3417 C O-B = 2384 T
B-I = 1073 T C-J = 1171 C
J-D = 4 T J-E = 1171 C
H-F = 1092 T H-K = 861 C

MEMBR CSI P(LBS) M81ST M82ND
A-K = 511 C
DL+LL DEFL = 0.51" IN B-H
LL DEFL = 0.39" (S/360
DL+LL HORZ = 0.33" AT F
SPAN/DEFL (DL+LL) = 542
PLATING CONFORMS TO TPI
(ICBO 3777)(DILHR 850020-N)
VERIFY PLATE VALUES WITH
TEE-LOK CORPORATION
GRIP BASED ON SYP/SPF
GRIPPING VALUES BASED ON
GROSS AREA TEST METHOD.
PLATES - 20 GAUGE T-GIG
GRIPPING 529-315 PSI PER PAIR
INCLUDES 15.0% INCREASE
TENSION 838- 806 PLI PER PAIR
SHEAR 852- 495 PLI PER PAIR

JT TYPE PLATE SIZE X Y
A 1001 3.00 X 4.00 2.5 1.5
B 1030R 4.00 X 6.00 2.5 2.0
C 1001 3.00 X 4.00 CTR CTR
D 3001R 4.00 X 6.00 CTR CTR
E 1001 3.00 X 4.00 CTR CTR
F 1001 3.00 X 4.00 CTR CTR
G 2001 4.00 X 6.00 10.7 8.5
H 1050 4.00 X 6.00 3.0 2.5
I 1001 3.00 X 4.00 CTR CTR
J 1001 1.00 X 4.00 CTR CTR
K 1050 4.00 X 6.00 CTR CTR
L 4594 5.00 X 6.00 2.4 1.8
P 4000 4.00 X 6.00 CTR 1.7
S1 1100 8.00 X12.00 CTR 0.6
R = PLATE IS ROTATED BY 90 DEG

NOTES:
1. TRUSSES MANUFACTURED BY -
AUTOMATED BLDG. COMPONENTS
2. ANALYSIS CONFORMS TO
TPI-85 (WDS-91).
3. WIND LOADS - ANSI/ASCE 7-88
TRUSS IS DESIGNED AS A
MAIN WIND-FORCE RES SYSTEM
WIND SPEED - 80 MPH
MEAN ROOF HEIGHT - 25'
EXPOSURE CATEGORY - C
OCCUPANCY CATEGORY - 1
OCEANLINE DIST - 500 MILES
4. ANCHOR TRUSS FOR A TOTAL
HORIZONTAL LOAD OF 559 LBS.

Automated Building Components
129 N. Main St.

North Baltimore, Ohio 43872
1-419-257-2152, 1-800-837-2152

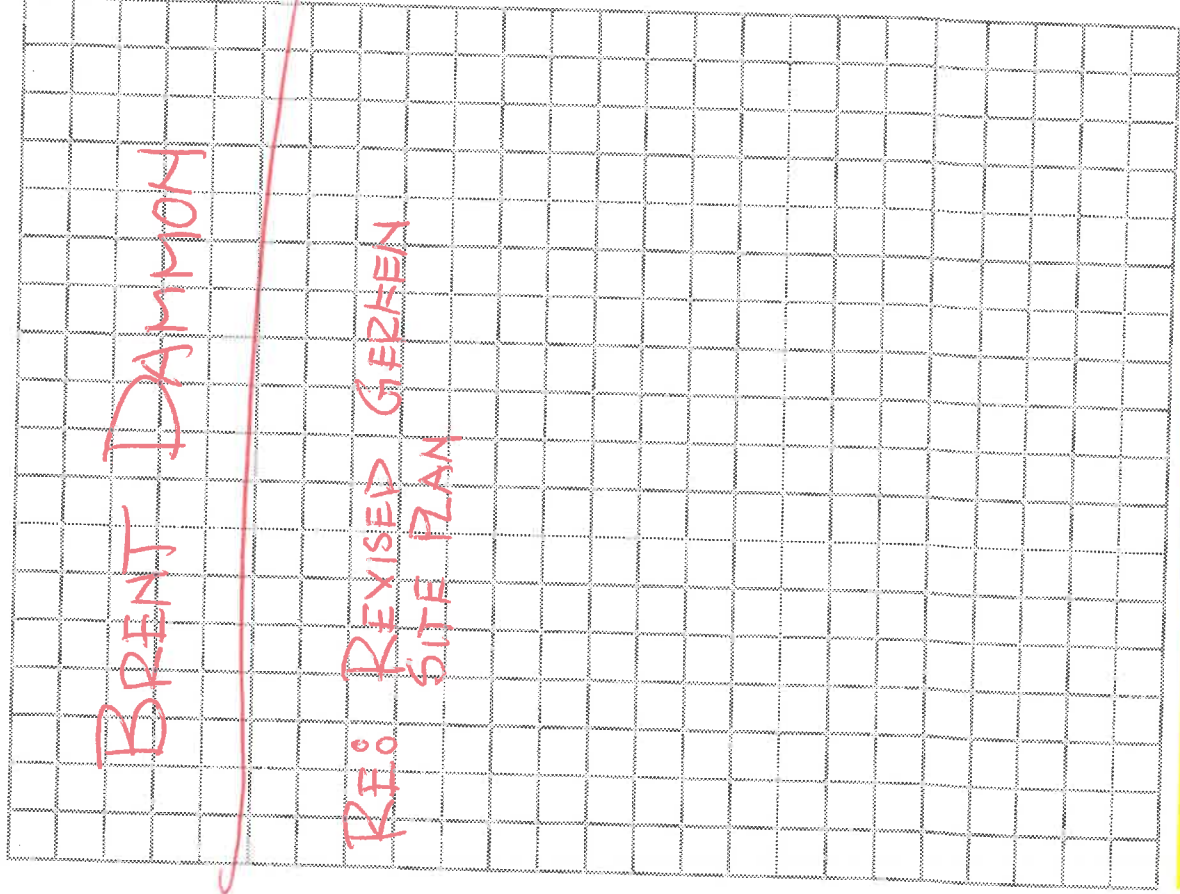
• • •

•



WEATHER SHIELD WINDOWS & DOORS

THERE'S MORE TO SEE IN A WEATHER SHIELD WINDOW.



— P.O. BOX 309 • MEDFORD, WI 54451 • PHONE (715) 748-2100 —

